

LIMERICK FIRE COMPANY LIMERICK, PA. S0141003/Q81188

AERIAL BODY
CYCLONE II X CHASSIS
HP95 AERIAL PLATFORM

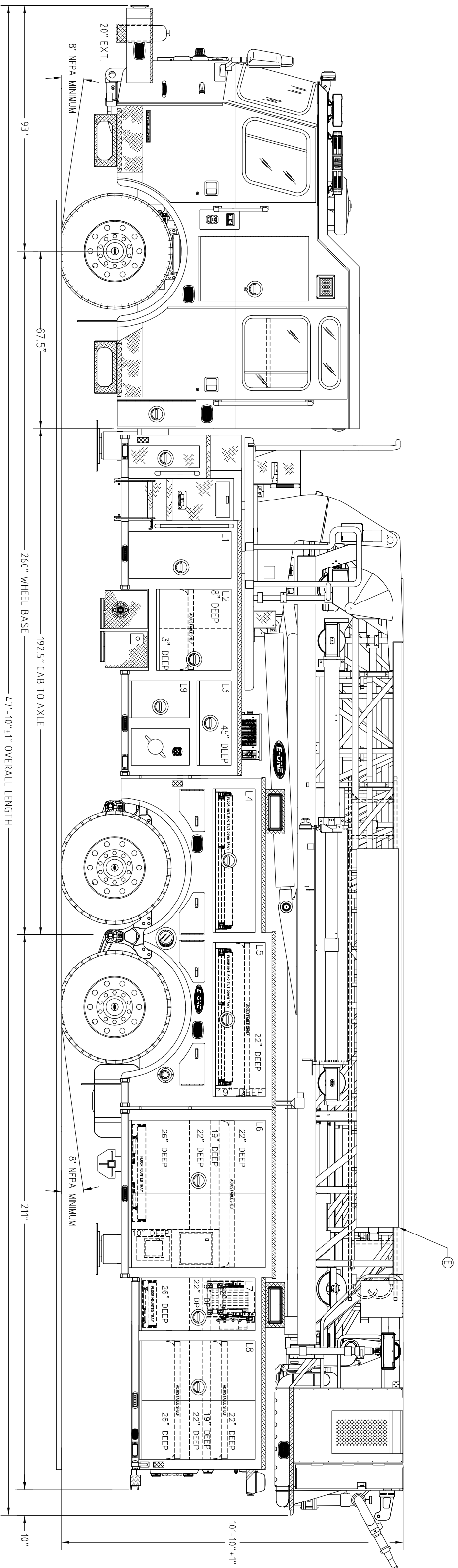
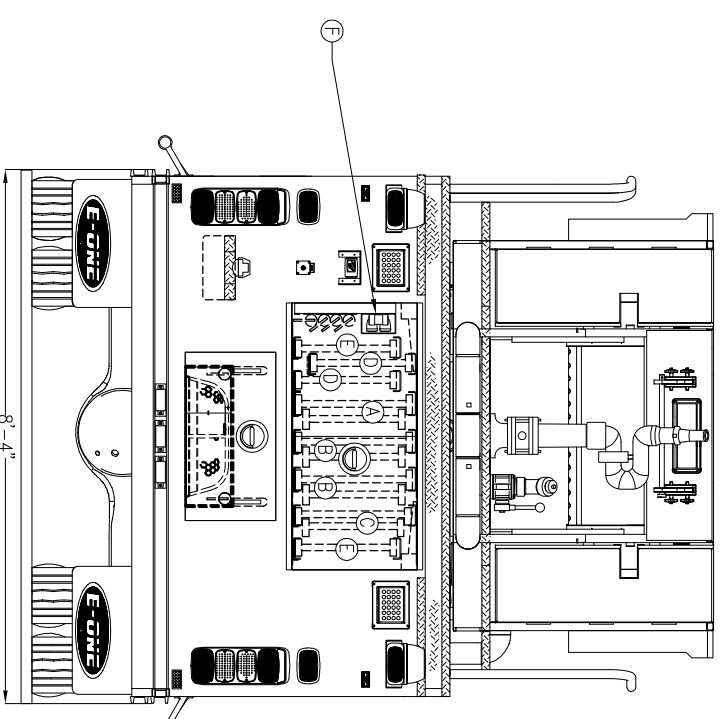
THIS DRAWING IS FOR REFERENCE PURPOSES. ALL DIMENSIONS ARE
SUBJECT TO MINOR VARIATIONS DUE TO MANUFACTURING PROCESSES.

APPROVED FOR PRODUCTION

DESIGNER: _____ DATE: _____

COMP.T.	OPENING	INTERIOR DIMENSION
L1	18W 38H	OIL RESEVOIR
R1	18W 38H	38H 11D
L2/R2	31W 27H	15W 27H NOTED FORWARD REARWARD
L3/R3	32W 12H	32W 12H NOTED
L4/R4	54W 15H	54W 15H 25D
L5/R5	58W 19H	58W 19H NOTED
L6/R6	56W 51H	56W 51H NOTED UPPER LOWER
L7/R7	20W 43H	20W 43H NOTED UPPER LOWER
L8/R8	45W 43H	45W 43H NOTED UPPER LOWER
L9/R9	14W 22H	14W 22H 22D

ITEM	LADDER LENGTH	MODEL NUMBER	QTY
A	35' 2-SECT.	1200-A 35	1
B	28' 2-SECT.	1200-A 28	2
C	24' 2-SECT.	900-A 24	1
D	18' ROOF	875-A 18	2
E	16' ROOF	875-A 16	3 (1) ON AERIAL
F	10' ATTIC	545-A 10	1
G	12' ROOF	775-A 12	1 ON AERIAL



DATE	REV	DESCRIPTION	BY	APP
2017-JUN-27	C	REVISED	BAKSON	BAKSON
2016-NOV-28	B	REVISED	BAKSON	BAKSON
2016-SEP-21	A	REVISED	BAKSON	BAKSON
2016-SEP-21	REV	APPROVAL	BAKSON	BAKSON