

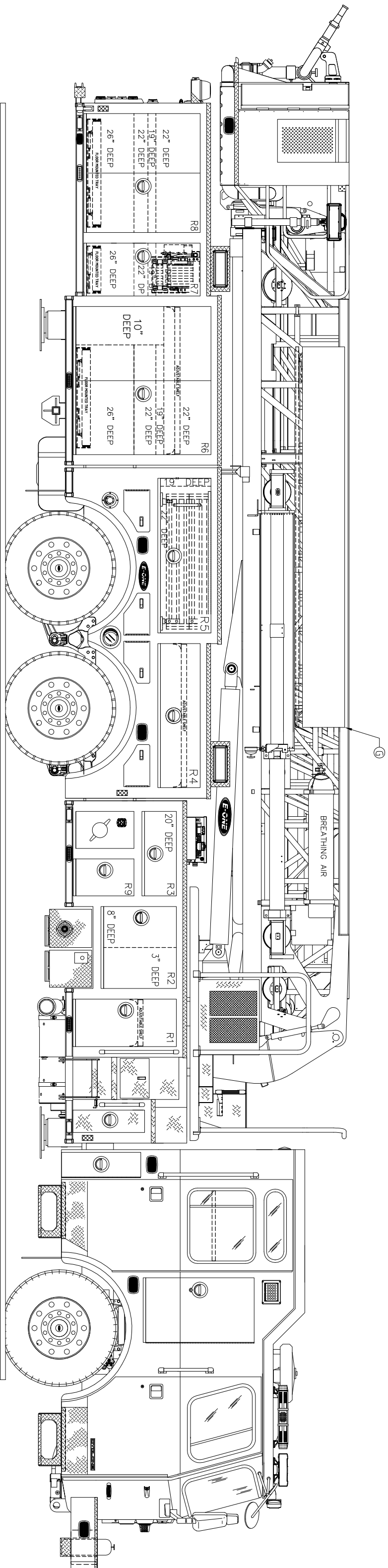
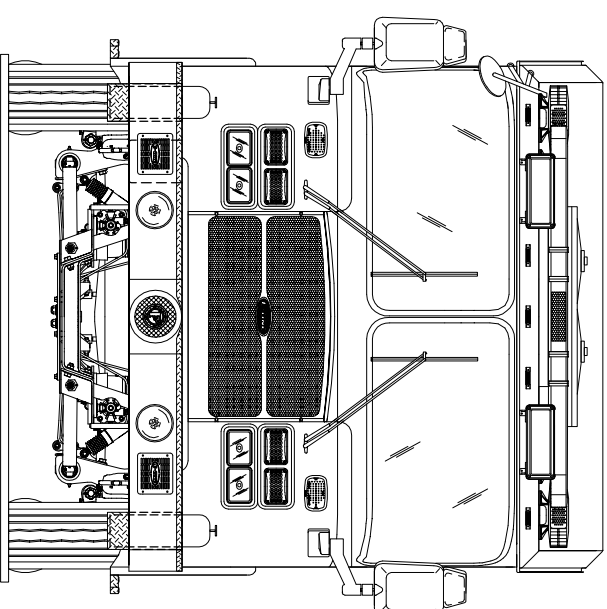
LIMERICK FIRE COMPANY
LIMERICK, PA.
 S.O.141003/Q81188

AERIAL BODY
 CYCLONE II X CHASSIS
 HP95' AERIAL PLATFORM

THIS DRAWING IS FOR REFERENCE PURPOSES. ALL DIMENSIONS ARE
 SUBJECT TO MINOR VARIATIONS DUE TO MANUFACTURING PROCESSES.

APPROVED FOR PRODUCTION

DESIGNER: _____ DATE: _____



DATE	BY	DESCRIPTION	DATE	BY	DESCRIPTION
2017-JUN-21	BRANSON	BRANSON			
2017-NOV-24	BRANSON	BRANSON			
2018-OCT-27	BRANSON	BRANSON			
2018-OCT-27	BRANSON	BRANSON			
2018-OCT-27	BRANSON	BRANSON			
2018-OCT-27	BRANSON	BRANSON			